



Functional Devices, Inc.
 310 South Union Street
 Russiaville, IN 46979

Office: (765) 883-5538
 Sales: (800) 888-5538
 Fax: (765) 883-7505

Manufacturing quality products in the United States of America since 1969

TR50VA008

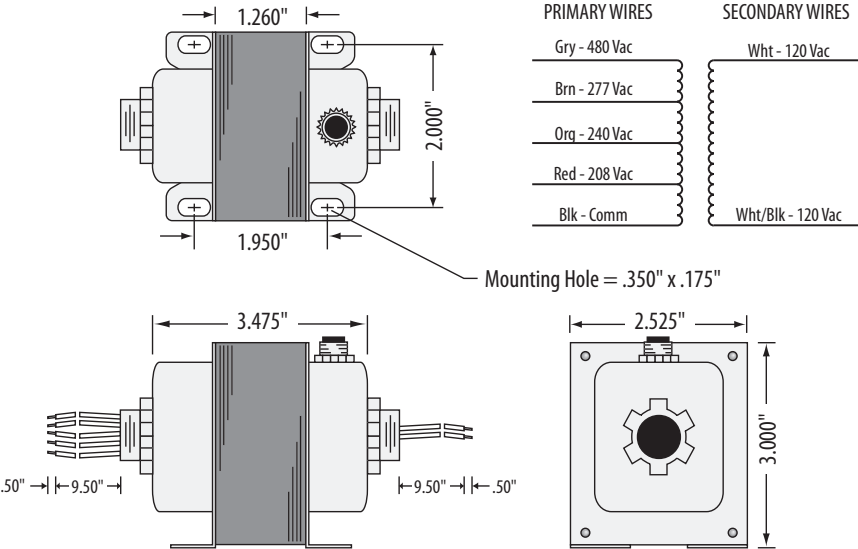
Transformer 50 VA, 480/277/240/208 to 120 Vac, Circuit Breaker, Foot and Dual Threaded Hub Mount



Functional Devices, Inc. A600D 2006



- VA Rating:** 50
- Frequency:** 50/60 Hz
- Mounting:** Foot & Dual Threaded Hubs
- Over Current Protection:** Circuit Breaker
- Dimensions:** 3.000" x 2.525" x 3.475"
(w/ .500" NPT Hubs)
- Wire Length:** 9.5" Typical w/ .5" Strip
- Operating Temperature:** -30 to 140° F
- MTBF:** 100,000 Hours @ 77° F
- Construction:** Split-Bobbin
- Weight:** 3.04 lbs.
- Approvals:** UL506 Listed, US / Canada



NOTES